

The Salamander Stove



Key Features :-

4kw (13,500 Btu)

Multifuel

Cleanburn and Airwash (74.7% efficient)

Riddling grate, Ashpan and Multi-tool

Direct air option

Height - 460mm (18 $\frac{1}{8}$ ")

Width - 302mm (11 $\frac{7}{8}$ ")

Depth - 351mm (13 $\frac{7}{8}$ ")

Weight - 50kg (110 lbs)

Solid cast iron construction

5 year warranty

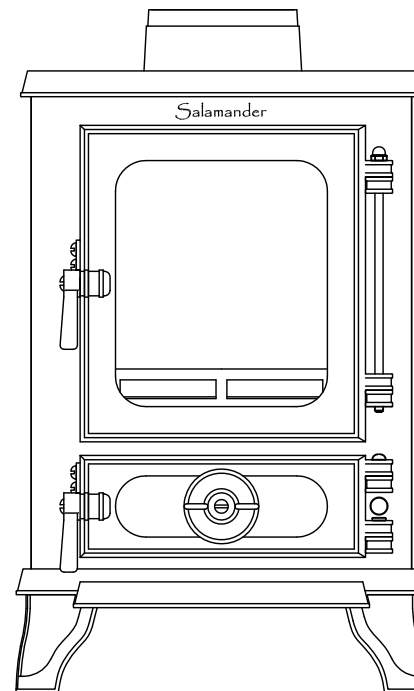
Options - Logstand

- Backboiler

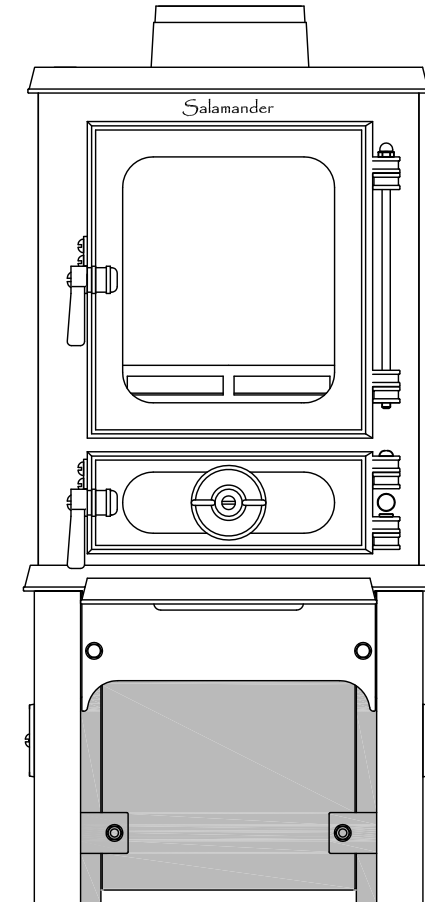
- Stainless Steel Cooktop

- Brass Fittings

- Galley Rail



The Salamander Stove



The Salamander Stove
(With optional logstand)